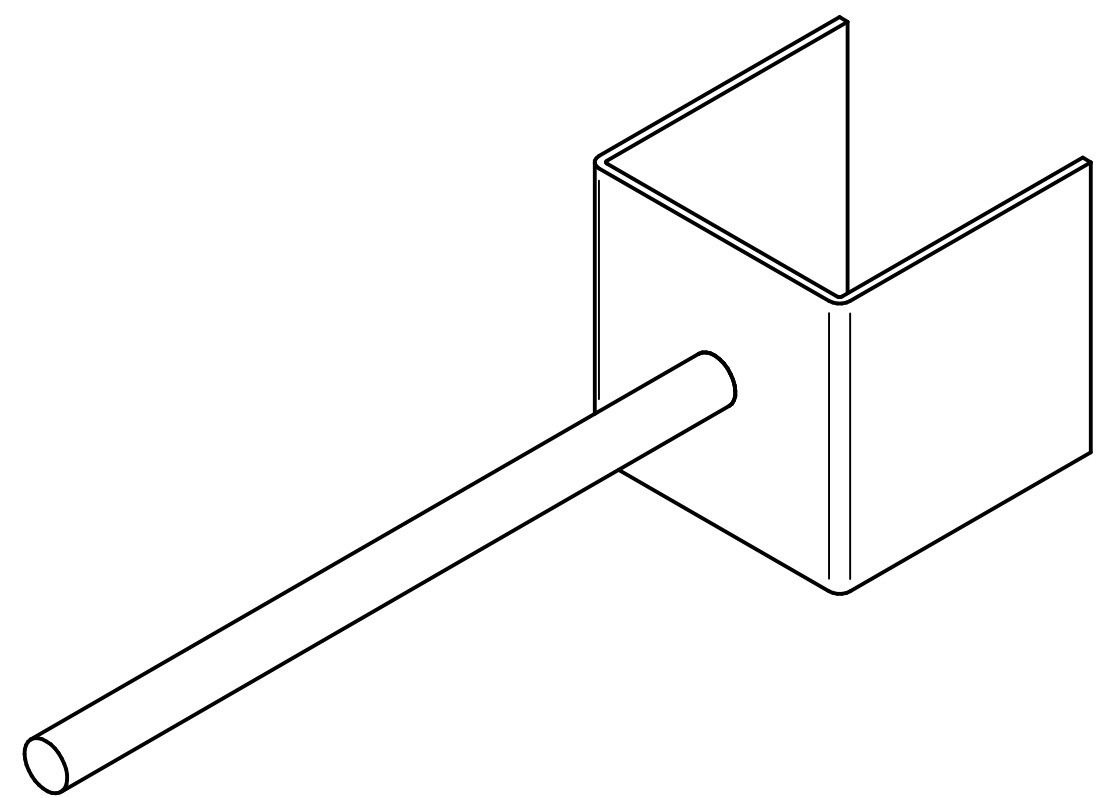


REVISION HISTORY			
REV	DESCRIPTION	DATE	APPROVED



Confidentiality Notice: This document is strictly private, confidential and contains proprietary information and intellectual property of FNC Metalli Oy. Neither this document nor any of the information contained herein may be reproduced or disclosed under any circumstances without the express written permission of FNC Metalli Oy. Please be aware that disclosure, copying, distribution or use of this document and the information contained therein is strictly prohibited. This document recipient(s) should not copy, distribute or reproduce in whole or in part, nor passed to any third party. Any abuse will be accused of under the EU Law.

	NAME	DATE	FNC Metalli Oy		
DRAWN	J. Kousa	19/05/2020			
CHECKED					
ENG APPR					
MGR APPR			TITLE		
UNLESS OTHERWISE SPECIFIED DIMENSIONS ARE IN MILLIMETERS ANGLES ±0.0°			SIZE	DWG NO	REV
			A3		
			FILE NAME: PJ_ASM.dft		
SCALE:		WEIGHT:	SHEET 2 OF 1		